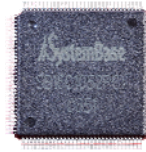


SB16C1052PCI



PCI to Dual-UART with 256-Byte FIFO Bridge Controller

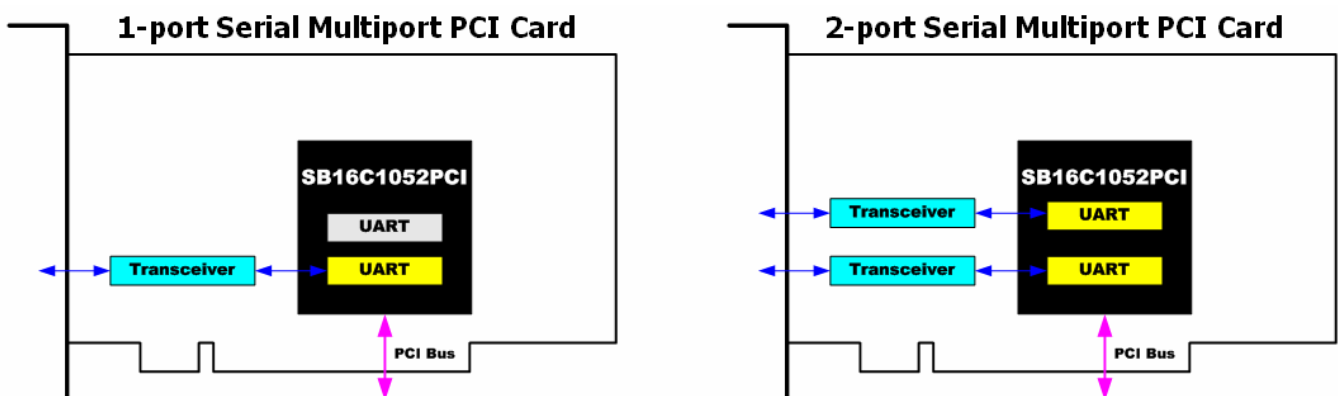
SB16C1052PCI is a single chip which enables two asynchronous serial communication ports to be connected to the PCI bus without any glue logic and it's the best solution to constitute a serial port for the PCI bus. It can enable customer to make easy and simple reference design as a one-chip solution for 1-port or 2-port Serial MultiPort Boards.

It includes SB16C1052, Dual UART with 256-Byte TX/RX deep FIFO developed by SystemBase. It also has enhanced features, global interrupt and dedicated control pins for RS422/485 auto toggling. The 256-byte FIFOs reduce CPU overhead and allow higher data throughput.

■ SB16C1052PCI Features

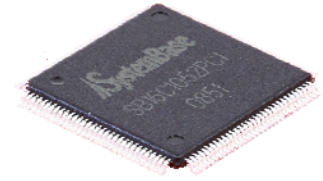
- Standard PCI Local Bus Specification Rev. 2.3 compliant
- Built-In PCI Target Controller @ 33/66MHz
- Built-In two improved 16C1050 UART with 256-byte Deep FIFO
- Global Interrupt and Control pins for RS422/485 auto toggling
- Supports H/W and S/W flow control

■ SB16C1052PCI Block Diagram & Application



SB16C1052PCI, PCI to Dual-UART Bridge Controller

● Features



Integrated PCI Interface

- Standard PCI Local Bus Specification Rev. 2.3 compliant
- Built-In PCI Target Controller
- Supports 33MHz and 66MHz Bus Operation Speed
- Applicable to a high speed bus, PCI-X slots
- Option Register provided for the control and information of UART
- Downloads the Configuration header data from external serial EEPROM

Dual UART Interface

- Dual-Channel UART(Universal Asynchronous Receiver and Transmitter)
- 256-byte Transmit/Receiver Deep FIFOs
- Register Set Compatible with 16C554 and 16C654
- Serial Data Rate of Up to 5.3Mbps & System Clock Up to 85MHz
- Software/Hardware Flow Control & Xoff Re-Transmit Function
- Global Interrupt & Control Pins for RS422/485 Auto Toggling
- Internal Diagnostic Capabilities

Support & Order Information

- 3.3V I/O, 5V Tolerance
- TQFP128 Package

SystemBase offers SB16C1052PCI Development Kit to minimize development efforts and costs, and to maximize application stability.

SB16C1052PCI Development Kit includes H/W schematics, CAD files, S/W device driver and source codes and etc. It will help you develop a new product easily and quickly.



Products	Description
SB16C1052PCI	PCI to Dual-UART Bridge Controller
SB16C1052PCI Development Kit	Evaluation Board, Data Sheet, Development Kit Manual, Development Kit CD - E/B Schematics - E/B Artwork & Gerber - Serial EEPROM Data - Device Driver & Test Program - Source Code