

6

5

4

3

2

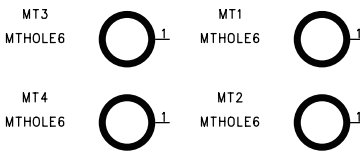
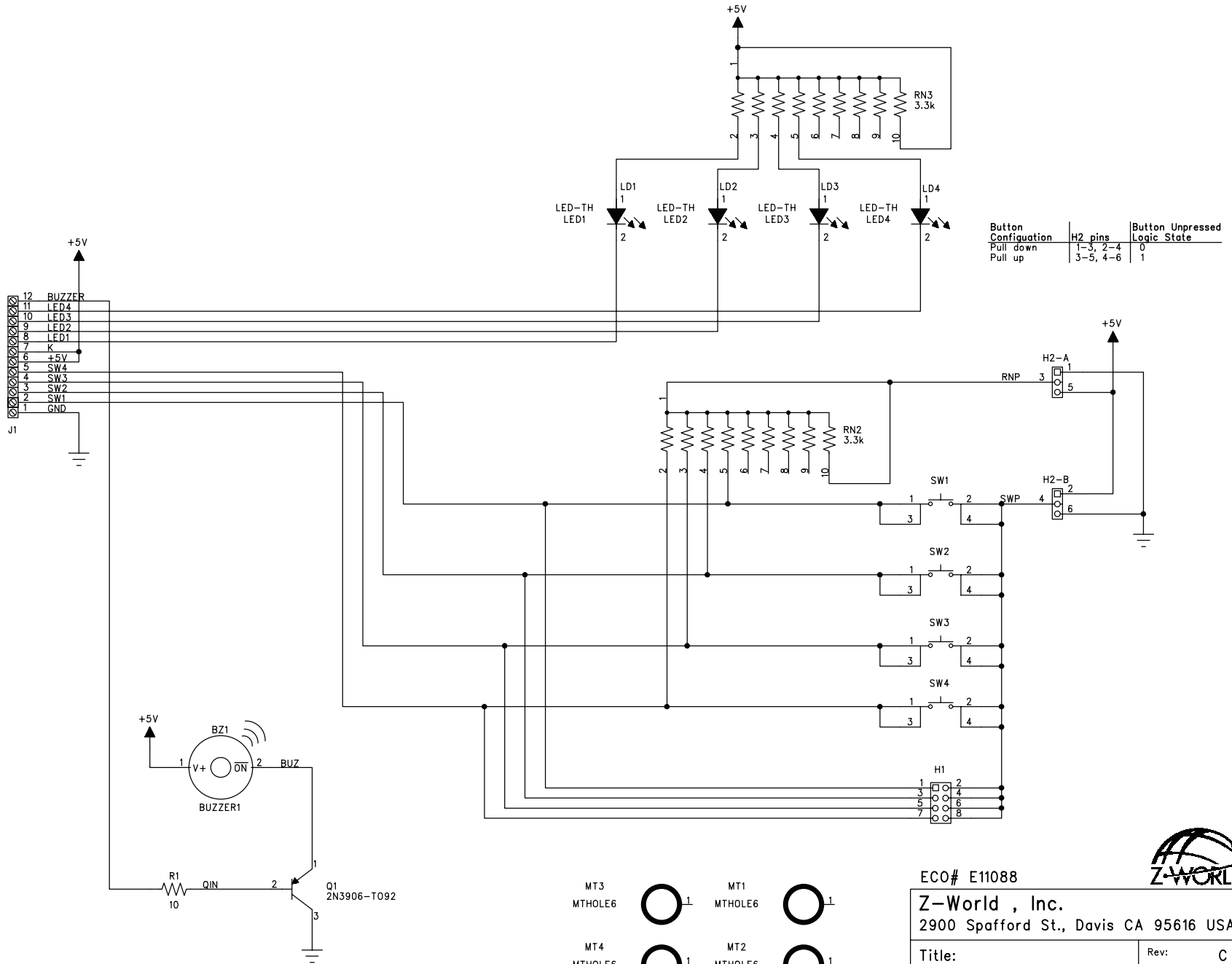
1

D

C

B

A



ECO# E11088



Z-World, Inc.
 2900 Spafford St., Davis CA 95616 USA

Title:
 Demo Board

Rev: C
 Date: 23JUN00

Drawing:
 090-0042

Sheet: 1
 of: 1