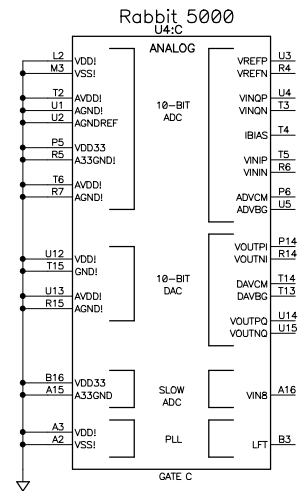
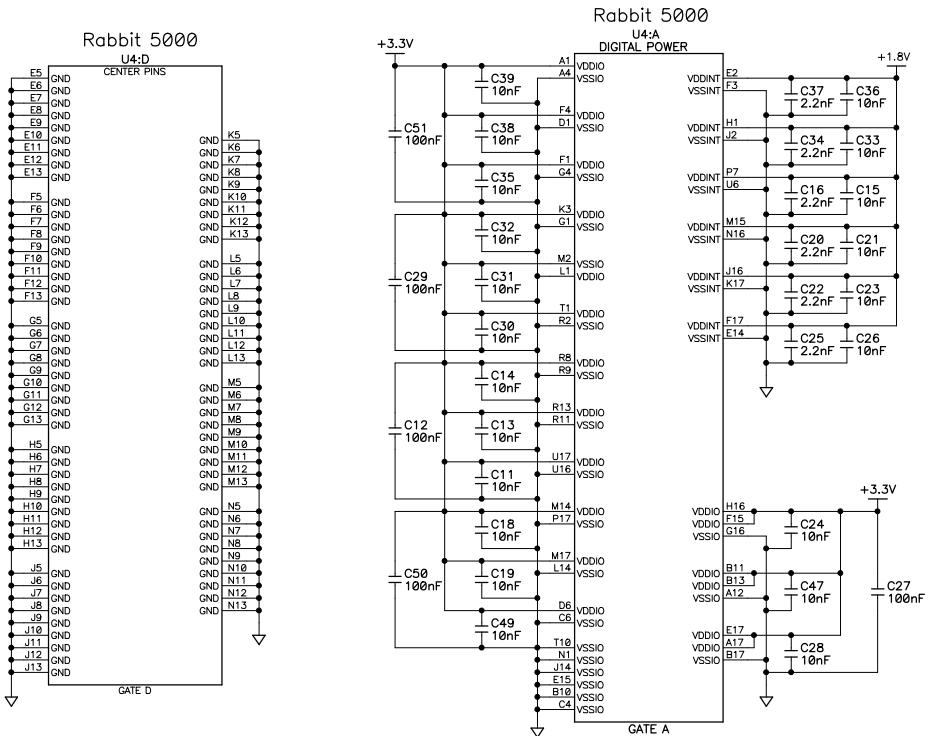


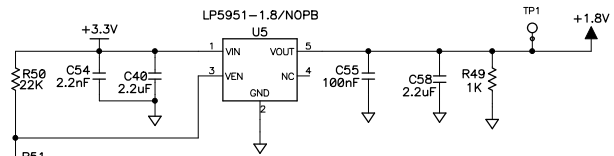
REVISION HISTORY			REVISION APPROVAL			
REV	ECO	DESCRIPTION	PROJECT ENGINEER	APPROVAL DATE	DOCUMENT CONTROL	APPROVAL DATE
X1		First Prototype (2-1-2008)				
A		Board spin				
B	208	Pilot Run				
C	341	Swap pin1 and pin3 of JP1				
D	855	Change PD3 to I/O Bus , Update C6, C17, C58 and R12 (PCB # 20-175-0404C)	MT			
E	747	Change U5,R12,C40,C58,C6,C17: change R42-45 to JP2-5; Y3 Stuffed, Add EGN2; Add R49-R52,C71,C72,C74 Remove R38 Change R25, Add stuffing table (PCB # 20-175-0438)	TCP			
F	1706	Update stuffing table. Schematic cleanup.	AF			



STUFFING TABLE

OPTIONS	PART	MODEL		MODEL	
		RCM5700	RCM5710	RCM5750	RCM5760
ETHERNET	J1	Not Installed	Installed	Not Installed	Installed
	C4,C7	Not Installed	Installed	Not Installed	Installed
	R1,R2	Not Installed	Installed	Not Installed	Installed
	L3	Not Installed	Installed	Not Installed	Installed
	C1,L1,R3,R4	Not Installed	Installed	Not Installed	Installed
	C2,L2,R5,R6	Not Installed	Installed	Not Installed	Installed
EXTERNAL SRAM	JP2,JP3 JP4,JP5	Zero ohm Across 2-3	Zero ohm Across 1-2	Zero ohm Across 2-3	Zero ohm Across 1-2
	U8	Not Installed	Not Installed	512Kx8	512Kx8
SERIAL FLASH	R22,R36 R37,R40	Not Installed	Not Installed	Installed	Installed
	C63,C64,C65	Not Installed	Not Installed	Installed	Installed
	U7	Not Installed	Not Installed	2MB	2MB
BATTERY SUPPORT	R12, D1	Installed	Installed	Not Installed	Not Installed

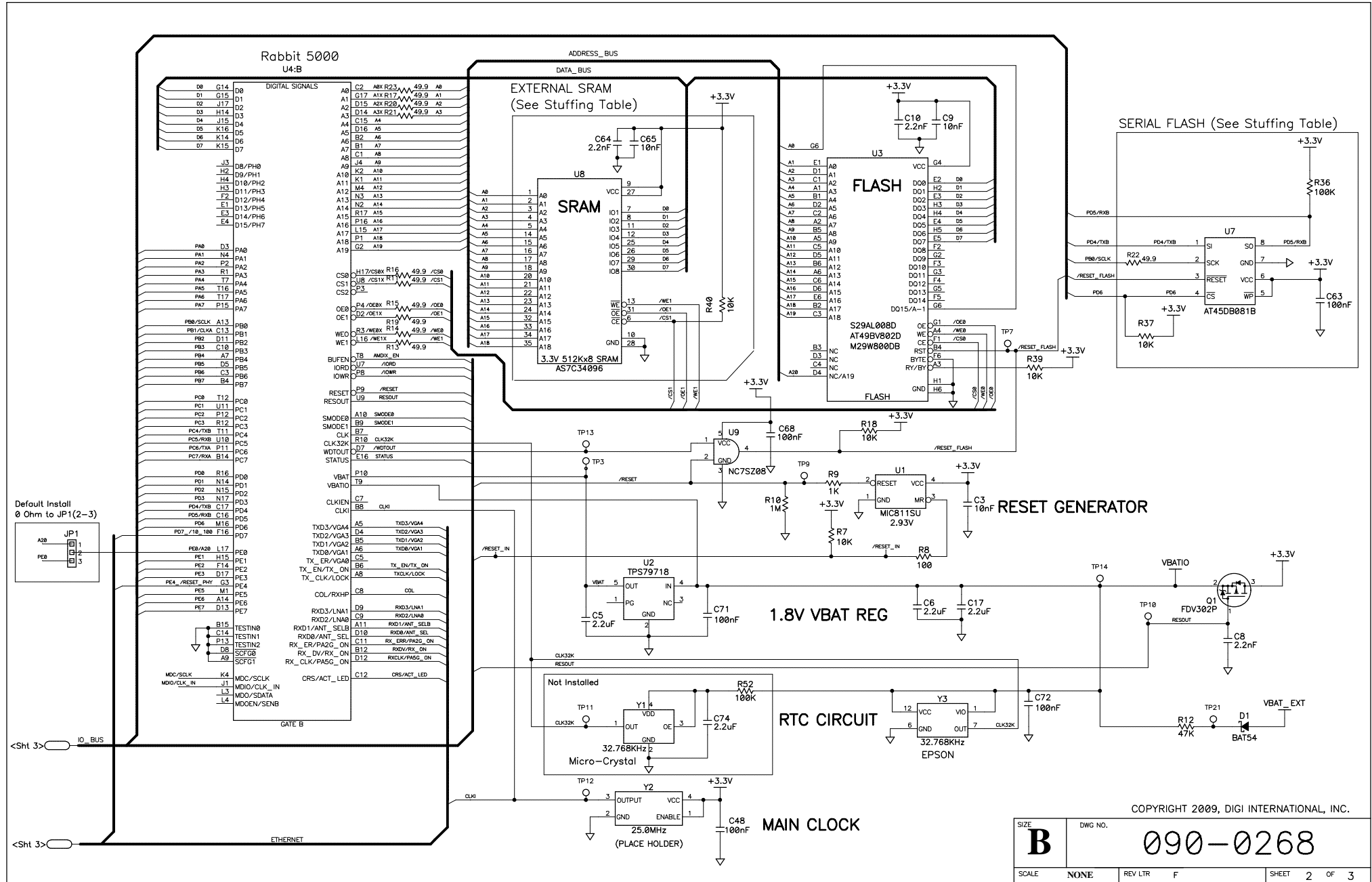
1.8 V CORE POWER



- NOTES: UNLESS OTHERWISE SPECIFIED:
- ALL RESISTOR VALUES ARE IN OHMS, 1/16W, 1% UNLESS LABELED 5%
  - THE ORIGINATION SOURCE OF A VOLTAGE IS REPRESENTED BY (VCC), AND ALL REFERENCES TO THAT VOLTAGE ARE REPRESENTED BY (VCC).
  - COMPONENT VALUES SHOWN WITH AN ASTERISK (\*) FOLLOWING THE VALUE OR DASHED BOX, MAY HAVE DIFFERENT VALUES, OR MAY NOT BE STUFFED.

COPYRIGHT 2009, DIGI INTERNATIONAL, INC.

APPEND THE FOLLOWING DOCUMENTS WHEN CHANGING THIS DOCUMENT:		DRAWING CONTENT:		TITLE	RABBIT SEMICONDUCTOR
DRAWN BY: (INITIAL RELEASE)	L.Y.	05-28-08			
REVISED BY:	A.F.	01-01-10			
APPROVALS: INITIAL RELEASE				PROJECT ENGINEER:	SIZE <b>B</b> DWG NO.
L.Y.		05-28-08			
X.T.		05-28-08		SIGNATURES	DATE
SCALE		NONE	RELEASE DATE	TBD	SHEET 1 OF 3



COPYRIGHT 2009, DIGI INTERNATIONAL, INC.

SIZE	DWG. NO.
<b>B</b>	090-0268
SCALE	NONE
REV	LTR F
SHEET	2 OF 3

