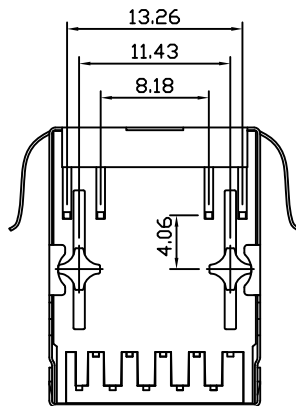
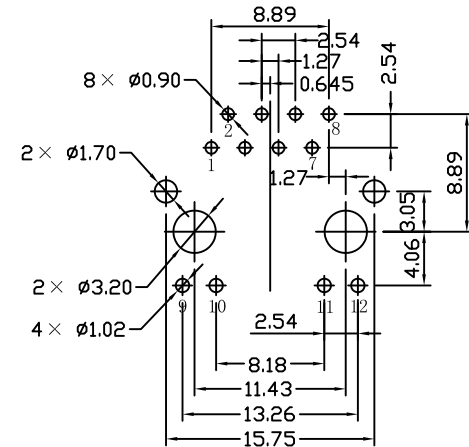
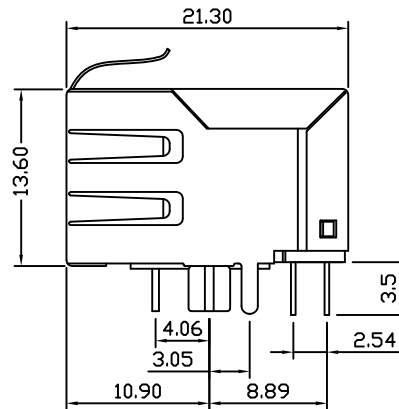
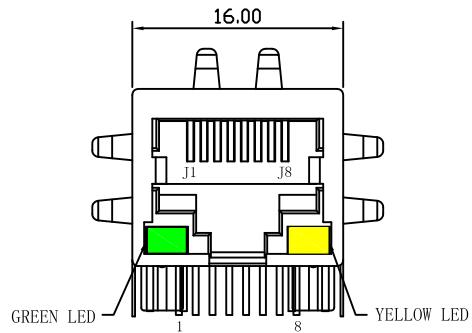


Mechanical:

REV.	ECN NO.	DESCRIPTION	DATE	APPD
A	REL		30/11/2009	



NOTES:

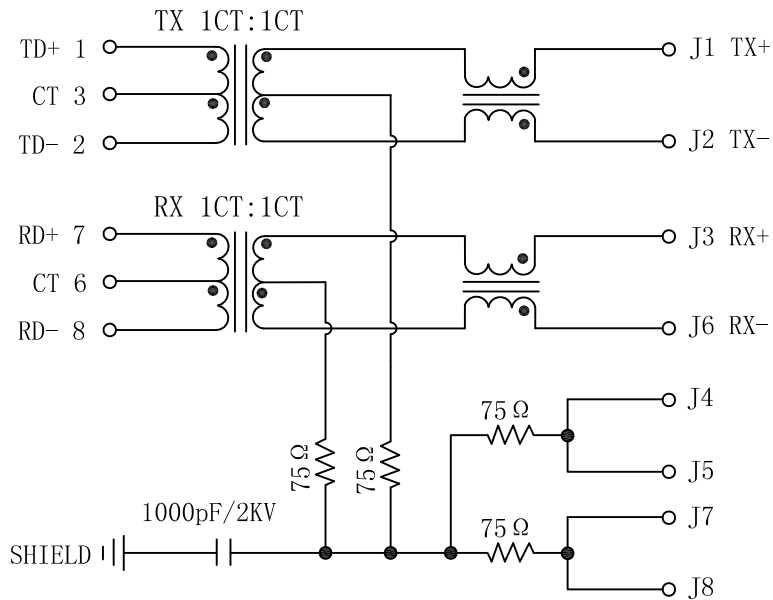
1. Designed to support application, such as SOHO (ADSL modems), LAN-on-Motherboard (LOM), hub and Switches.
2. Meets IEEE 802.3 specification
3. Connector Materials:  
Housing: Thermoplastic UL94V-0  
Contact/Shield: Copper alloy  
Shield plating: Nickel  
Contact plating: Gold 6 micro-inches min. In contact area.
4. Wave solder tip temperature: 265°C Max  
Wave solder tip temperature time: 5 Sec Max.
5. UL Certification: File Number E321120



X:X ±0.25	APPD:	BOCON
X:XX ±0.20	CHKD:	BeiJing Bocon Automation Tech. Co., Ltd
X:XXX ±0.05	DR: C. H. Y	TITLE: RJ45 Connector with 10/100 Base-T Integrated Magnetics
ANGLES ±1°	UNIT: mm	PART NO.: B-TRJ4017GENL
	SCALE: 2/1	SHEET: 1/2
	REV: A	DWG NO.: TRC09113001

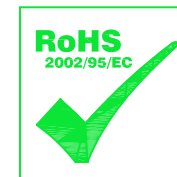
atic:

REV.	ECN NO.	DESCRIPTION	DATE	APPD
A	REL		30/11/2009	

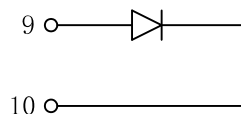


### ELECTRICAL SPECIFICATIONS @25°C

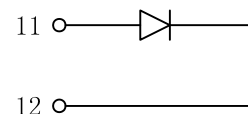
- Turn Ratio ( $\pm 2\%$ ):  
TX=1CT:1CT      RX=1CT:1CT
- Inductance OCL:  
350uH MIN @ 100KHz 0.1V 8mA DC Bias
- Insertion Loss:  
-1.0dB MAX @ 0.3-100MHz
- Return Loss (@100Ω):  
-18dB MIN @ 1-30MHz  
-16dB MIN @ 40MHz  
-14dB MIN @ 50MHz  
-12dB MIN @ 60-80MHz
- Cross talk:  
-45dB MIN @ 30MHz  
-40dB MIN @ 60MHz  
-35dB MIN @ 100MHz
- Common Mode Rejection:  
-35dB MIN @ 30MHz  
-30dB MIN @ 60MHz  
-25dB MIN @ 100MHz
- Hipot Test: 1500Vrms MIN
- Operating Temperature Range: -40°C TO +85°C



GREEN/LEFT LED



YELLOW/RIGHT LED



X:X	±0.25	APPD:	BOCON	
X:XX	±0.20	CHKD:	BeiJing Bocon Automation Tech. Co., ltd	
X:XXX	±0.05	DR: C. H. Y	TITLE: RJ45 Connector with 10/100 Base-T Integrated Magnetics	
ANGLES	±1°	UNIT: mm	PART NO.: B-TRJ4017GENL	
	SCALE: 2/1	SHEET: 2/2	REV: A	DWG NO.: TRC09113001